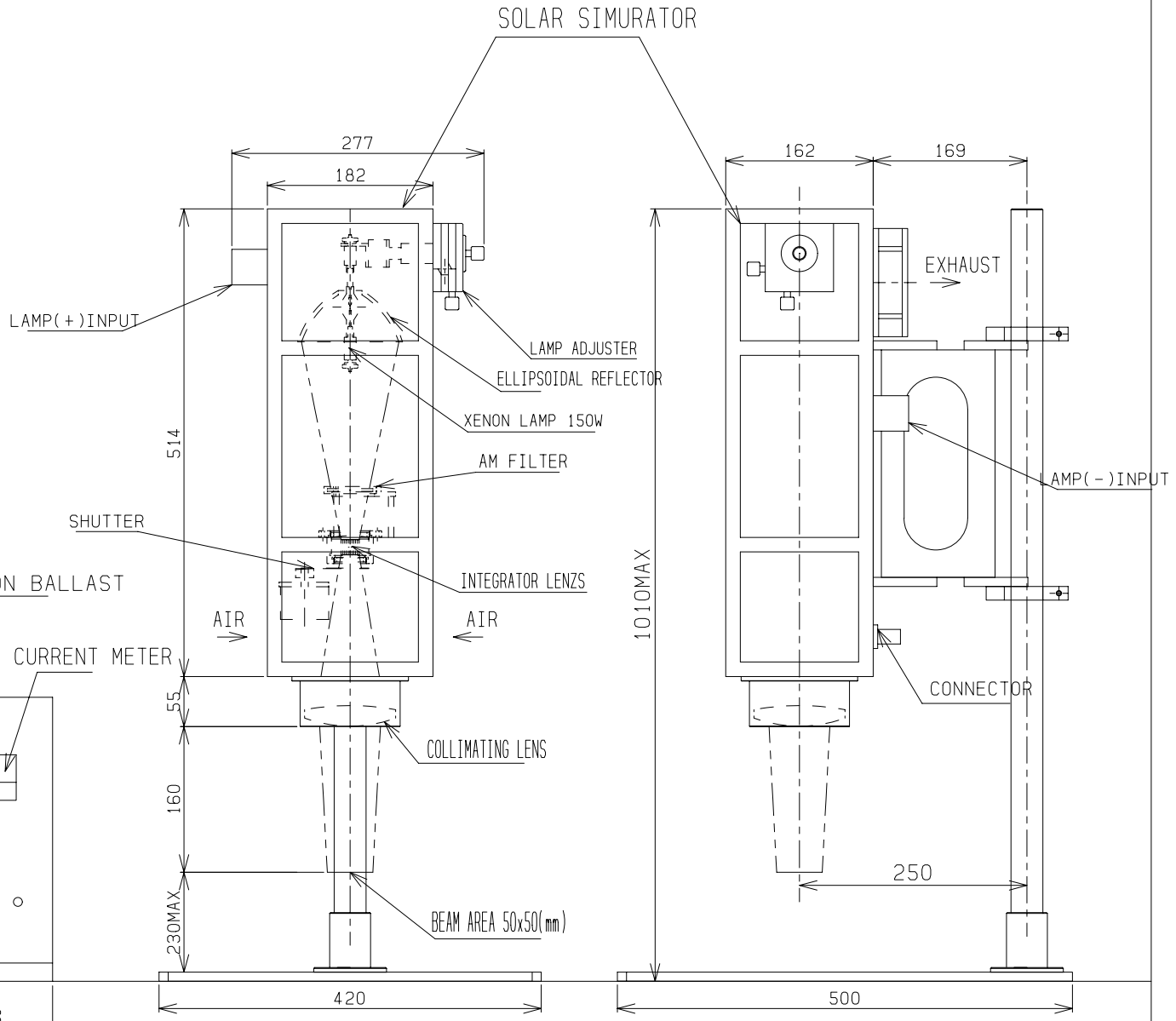
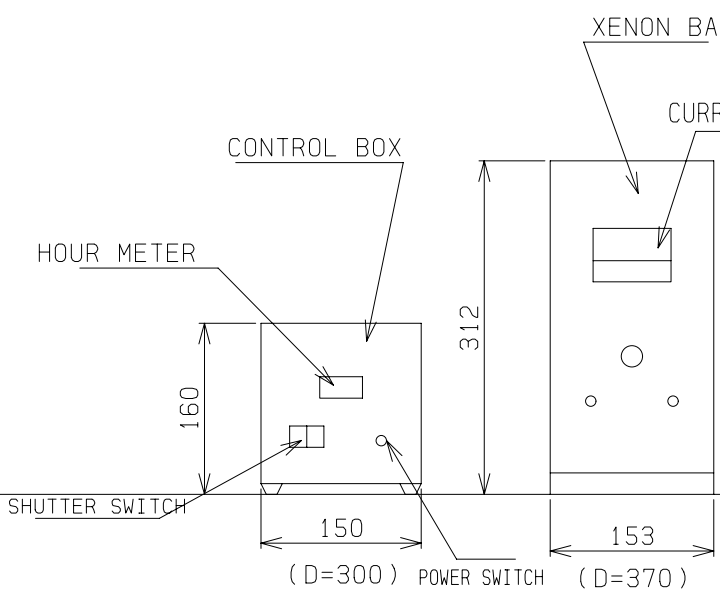


SHUTTER REMOTE SIGNAL
 1-2 MAKE → OPEN
 3-4 MAKE → CLOSE



初版 '***.***.***

	APPROVED	CHECKED	DESIGNED H. T	DRAWN H. T	DATE '0*, **, **	MATL ***** t=*, *	QTY **	TREATMENT *****	TOLERANCE JIS B 0405 中級	THIRD ANGLE PROJECTION SCALE 1/2	PROJECT TITLE WXS-50S-1.5	DRAWING TITLE 150W SOLAR SIMULATOR	DRAWING NUMBER dXK-0004
--	----------	---------	------------------	---------------	---------------------	----------------------	-----------	--------------------	----------------------------	-------------------------------------	------------------------------	---------------------------------------	----------------------------